



Safety Electrician

---

# Product Manual

# TNC

Safety Electrician

---



TNC SWITCH&SOCKET  
FOR OPTIMAL LIGHT



## S8 SERIES

- Appearance design complies with golden section principle, shows perfect 3D sense;
- Fluent and clear lines, perfect combination of both luxury and delicate;
- 100% imported PC material, great fire-resistant, stable quality, more durable



Confident in our workmanship and materials, TNC offer a substantial guarantee on all products.



**25 YEARS**  
quality warranty

S8 range products are guaranteed against faulty materials and workmanship for a period of 10 years from date of delivery.



Adopted high quality fire resistant PC for faceplate, PA66 Nylon anti-burning base; Big silver alloy contact point, reduce electric arc effectively. Life time of switch is up to 40000 times.

Enhanced safety technique of door protection design in order to avoid mistake plugging. Life time of BS socket is up to 15000 times.



## Panel Material adopts fire-resistant PC

### PC advantages:

1. High strength: anti distortion, anti shock, anti aging.
2. High and low temperature resistant: no deformation/ no cracking between temperature of +120C and -(subzero)40C, fire resistant temperature reaches to 850C, flame on PC dies out within 30S after removed from fire source.
3. No color fading, color well distributed, anti-UV
4. Environmental friendly, no heavy metal, easy to clean.



Insulation pc



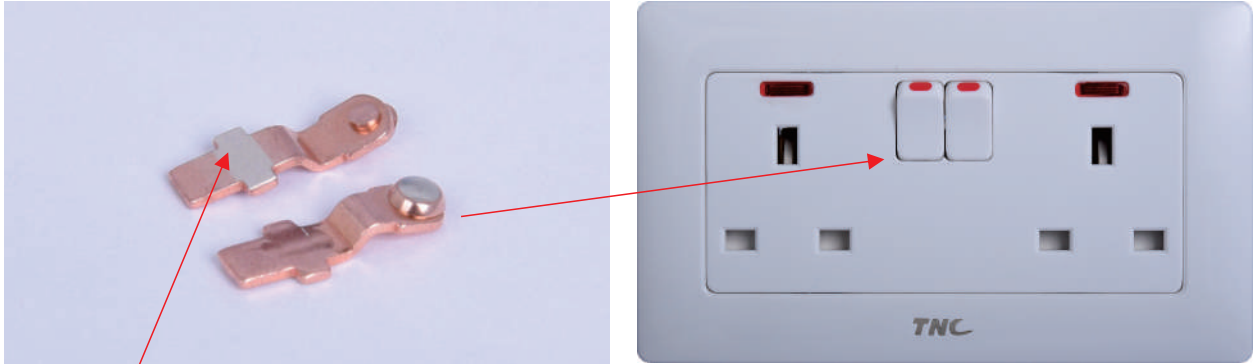
Impact  
resistance



**850° C**  
Glow wire test,  
flame dieoff  
within 30 seconds.



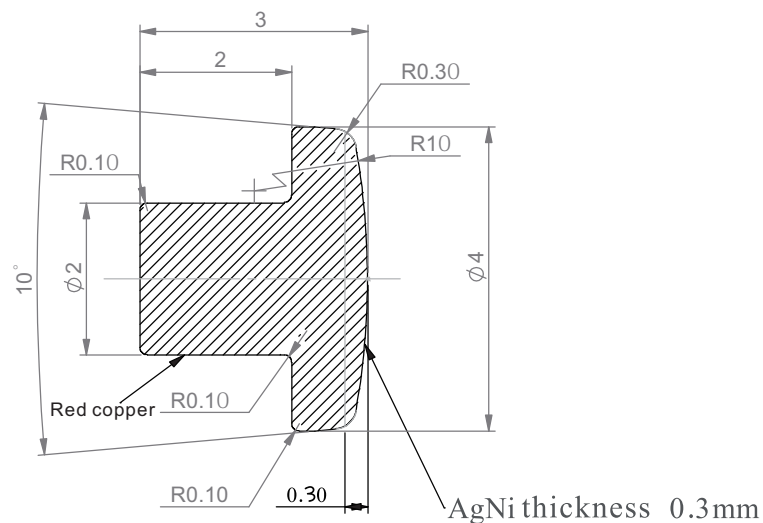
Environmental  
friendly



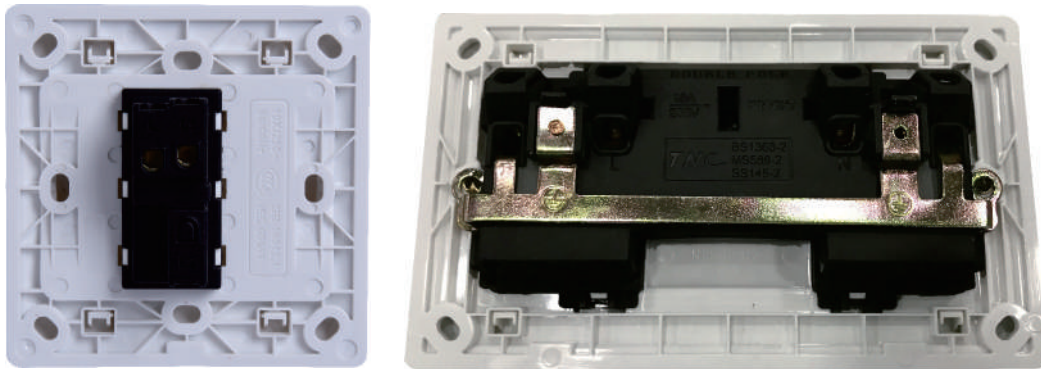
Nickel Silver alloy for the contact point  
Back of contactor is coated with silver,  
better for current running and reduce heat

### Advantages :

1. large contact point.
2. low contact resistant, good conductivity.
3. not easy to have electric arc.
4. high strength.
5. high temperature resistant, low temperature rise ,abrasion resistant, oxidation resistant, long lifespan.

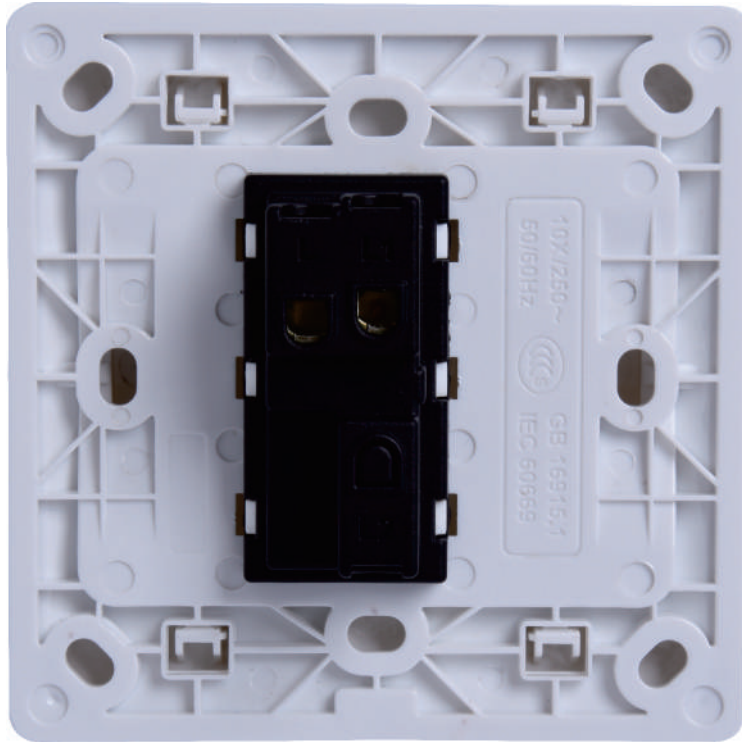


Cross section A-A



## Advantages :

Earth pole terminal usually need to wire in and wire out to another socket, if there are two earth pole terminals, no need to put two wires into one terminal hole, the electricians like this way very much;

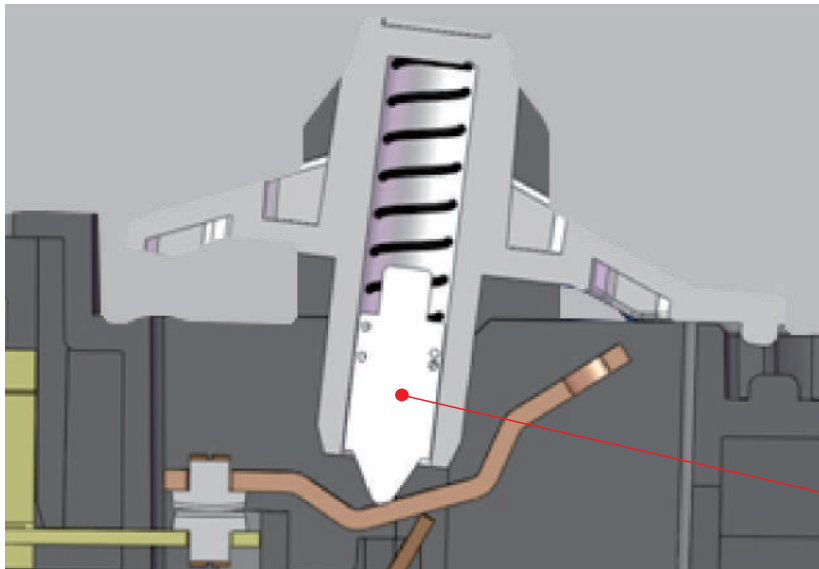


Base material adopts VO grade fire-resistant PA66 nylon. PC plate, by structural strengthening, strong enough to install on the wall

Advantages:

1. Stable electrical performance, fire resistant, high temperature .  
resistant,high mechanical strength, durable and not easy to distort.
2. Bending resistant, high impact toughness, high breakdown voltage.
3. No distortion at 125 degrees , fire resistant temperature up to 850C,





**toggle**

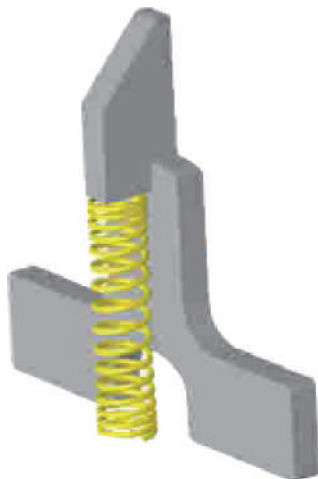
**Toggle:** enhanced translucent DuPont nylon material

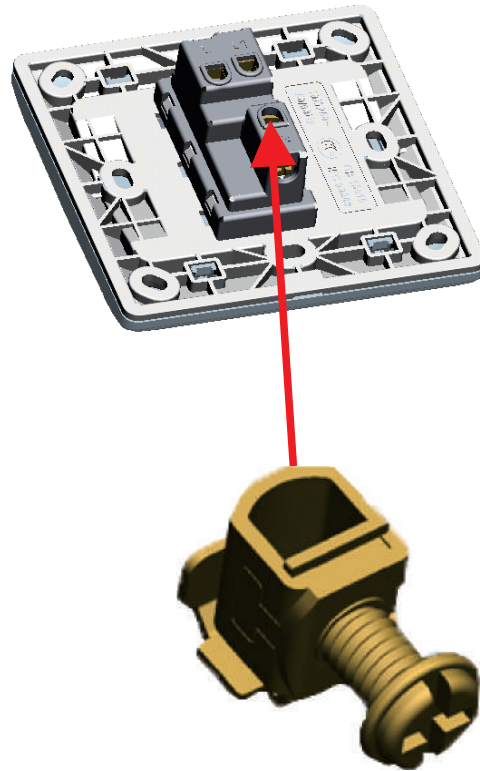
**Toggle** in enhanced translucent DuPont nylon material,  
abrasion resistant and high temperature resistant,  
good lubricity and smooth, long lifespan.



**Protection door:**

The materials used are flame retardant PA66 nylon with 15% glass fiber. Abrasion resistant, high temperature resistant, good toughness. Superior protection door design can withstand 20N (Newton) damage test. Protection door locks automatically when plugged in just one hole, to avoid electric shock and ensure safety.

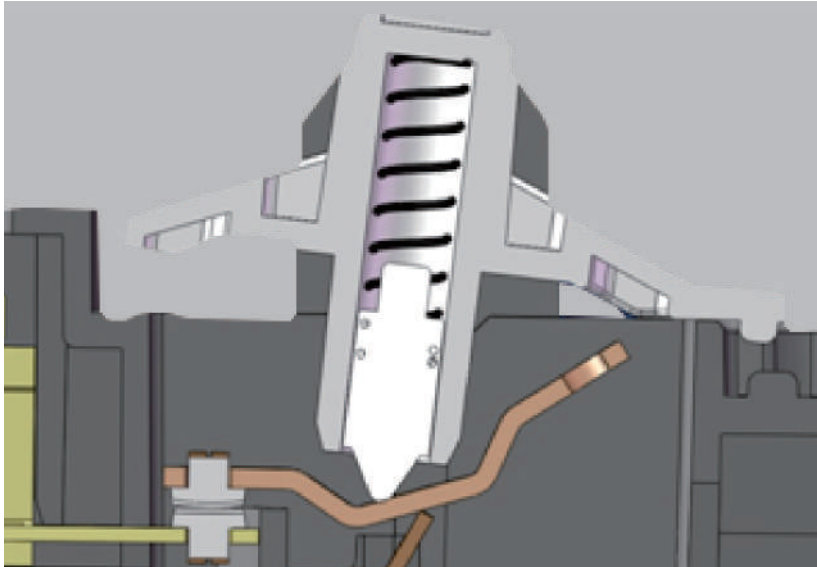




# Terminal

## advantages:

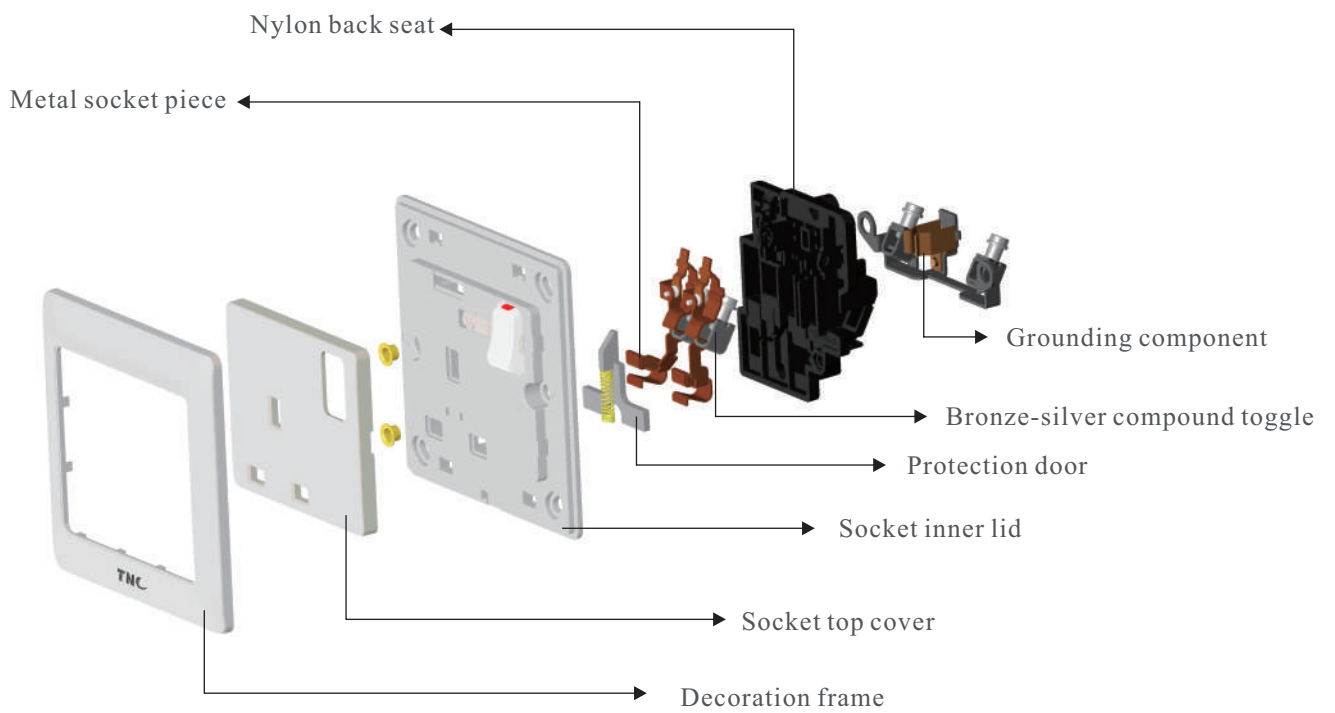
- 1.D shape hug type Terminal with screw clamping, better secure the wires
- 2.Suitable for both soft and hard wire,
- 3.Multiple wires can be connected at the same time, double-core wire with different diameter or
- 4.Un-pairing multi-core wire can also be fastened well.

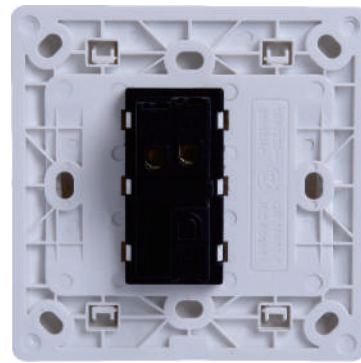


### **Forced breaking function**

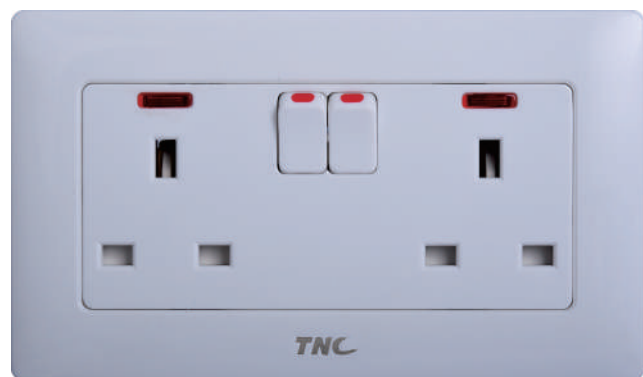
TNC switch has Forced breaking function to decrease fire risk. When two contact points adhere with each other due to over current-carrying, push the toggle and they will be forced to disconnect.

## THE PRODUCT STRUCTURE





16Amp 10AX switch	13
13Amp Socket Outlets	14
20A DP switch	14
45A DP switch	15
Dimmer switch	15
Information socket	16



## 16Amp 16AX switch

Model NO.	Description	Box	Carton
B211	1 gang 1 way switch	10	100
B211-2	1 gang 2 way switch	10	100
B212	2 gang 1 way switch	10	100
B212-2	2gang 2 way switch	10	100
B213	3gang 1 way switch	10	100
B214	4 gang 1 way switch	10	100

- All switch 16Amp, 16AX rated
- 86\*86MM size
- Installation opening distance 60.3mm
- Plate-switch manufactured to IEC60669-1
- All switch 250V, AC, 50/60Hz
- Screw terminal
- Minimum mounting box depth:31.63mm



## 10Amp 10AX switch

Model NO.	Description	Box	Carton
S8211	1 gang 1 way switch	10	100
S8211-2	1 gang 2 way switch	10	100
S8212	2 gang 1 way switch	10	100
S8212-2	2gang 2 way switch	10	100
S8213	3gang 1 way switch	10	100
S8214	4 gang 1 way switch	10	100

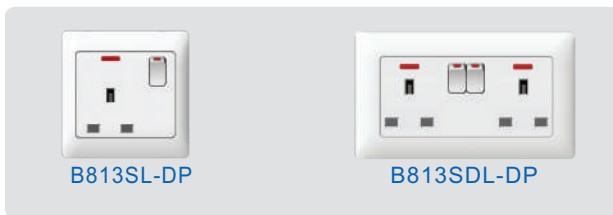
- All switch 10Amp, 10AX rated
- 86\*86MM size
- Installation opening distance 60.3mm
- Plate-switch manufactured to IEC60669-1
- All switch 250V, AC, 50/60Hz
- Screw terminal
- Minimum mounting box depth:31.63mm



# 13Amp Socket Outlets

Model NO.	Description	Inner Box	Outer Carton
B813SL-DP	1 gang 13A BS socket with DP switch&neon	10	100
B813SDL-DP	double 13A BS socket with DP switch&neon	10	100

- All socket 13Amp rated
- Screw terminal
- Minimum mounting box depth:27.06mm
- 86\*86MM size
- Installation opening distance 60.3mm
- manufactured to BS1363



# 20A DP switch

Model NO.	Description	Inner Box	Outer Carton
B8220L	20Amp with indicator	10	100

- 86\*86MM size
- Installation opening distance 60.3mm
- Plate-switch manufactured to IEC60669
- Screw terminal
- Minimum mounting box depth 21.5MM





# 45A DP switch

Model NO.	Description	Inner Box	Outer Carton
B245L	20Amp with indicator	10	100
B245L-L	45A DP switch + neon(146 mm)	10	100

- 86\*86MM ,86\*146mm size
- Installation opening distance 60.3mm
- Plate-switch manufactured to IEC60669
- Screw terminal
- Minimum mounting box depth 21.5MM



# Dimmer switch

Model NO.	Description	Inner Box	Outer Carton
B2-M13	1000W dimmer switch	8	80

- 86\*86MM size
- Installation opening distance 60.3mm
- Plate-switch manufactured to IEC60669-2-1
- Screw terminal
- Minimum mounting box depth 26.5MM
- suitable for fluorescent lamps&some kinds of LED



# Information socket

Model NO.	Description	Inner Box	Outer Carton
<b>B80 IETV</b>	Satellite TV socket	8	80
<b>B80 I-4TU</b>	TEL socket	8	80
<b>B80 IPC</b>	PC socket(cat6)	8	80

- 86\*86MM size
- Installation opening distance 60.3mm
- Plate-switch manufactured to IEC60669
- Screw terminal
- Minimum mounting box depth 21.5MM

