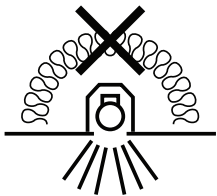
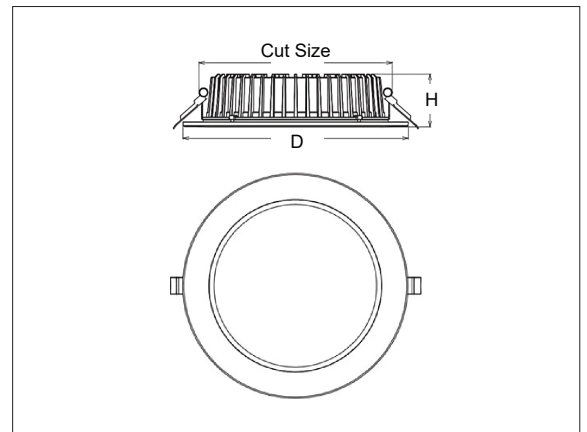


General Specifications

Lamp type	Direct
lm/W	80
T _(Kelvin)	3000/4000/6500 K
R _A	>80
V _(AC) Hz	100-240 V~ 50/60 Hz
D _f (cos φ1)	>0.9
T _(°C)	-20 ~ 40 °C
IP	20/40/44
Mounting	Ceiling recessed
Switching Cycles	25000x
Lifetime (h)	50,000
LED Driver	remote CC
Body material	die-cast aluminum
Optic	glass semi-frost



RoHS

Order Code	P _(Watt)	lm	°	D (mm)	H (mm)	Cut Size (mm)	PCs/Ctn
351218-A00(01/02/03) EG	7	560	68°	90	45	ø 70	100
351218-A00(04/05/06) EG	10	800	103°	120	50	ø 100	50
351218-A00(07/08/09) EG	20	1600	93°	170	50	ø 140	20
351218-A00(10/11/12) EG	30	2400	111°	220	50	ø 200	20

