

12 Watt 20 Watt 30 Watt 40 Watt

# OPTIMAL LIGHT LED COB Anti-glare Design



Anti Glare	100-277 V	PF: >0.9	CRI>80	30,000 Hrs.	CITIZEN	0/1-10V DIM
------------	-----------	----------	--------	-------------	---------	-------------

## Product information

Optimal Light COB downlight is uniquely designed with reflector and Citizen COB high power LED chip. The die-casting aluminium profile provides excellent thermal dissipation. Anti glare feature help to have a healthy and comfortable lighting experience. Isolated driver solution from 100 -277 Volt.



## Features & Benefits

1. Light transmission rate more than 85%. Anti glare design. No glare. Beautiful appearance. Light diffuse evenly. No spots.
2. Using high efficiency led chip 99.99% golden wire welding and using high index silica gel for encapsulation. Light efficiency reached 71.7LM per watt. With 30000 hours of lifespan.
3. The lamp body is made of die-casting aluminum. Integrated radiator that enhance the heat dissipation performance. Beautiful appearance. Never rusts.
4. Unique design for the buckle.
5. Independent design of drive. Using fire-resistant material. Fire rating to 94-V0.
6. No stroboscopic LED driver. Passing high voltage test. overcurrent and overtemperature protection. Passed EMC test. Lifespan up to 30000hours. Power factor up to 0.5, High conversion rate reached 90%, passed CE, CB, SASO, IECCE Certification.



Common out-out size for an easy switch from conventional halogen spotlights.	Up to 85% Energy saving	Ultra efficient LED light source. Saves up to 85% energy vs. halogen lamps with similar light output.
High quality PMMA LGP. Not turn yellowish for long time.	Day light (6500K) Cozy cool white light(4000K) Warm white light (3000K) for wider options with good color rendering(CRI>80)	
Long life LED driver included. Passing EMC & CB Power Factor > 0.5 220-240V 50/60Hz Lamp displacement factor: > 0.9	Durable aluminum housing	
No harmful UV irradiation	Durable, lifespan More than 30,000 hour Service life 5-10 times than Filament Lamp	



3000 Kelvin 4000 Kelvin 6500 Kelvin

- Not dimmable
- 15000x
- 80 lm/w Lumen/Watt
- 30° Beam angle

## Application areas

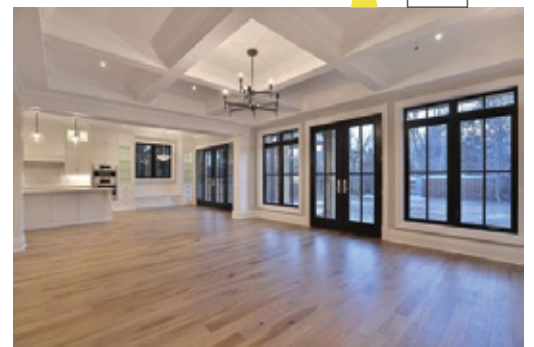
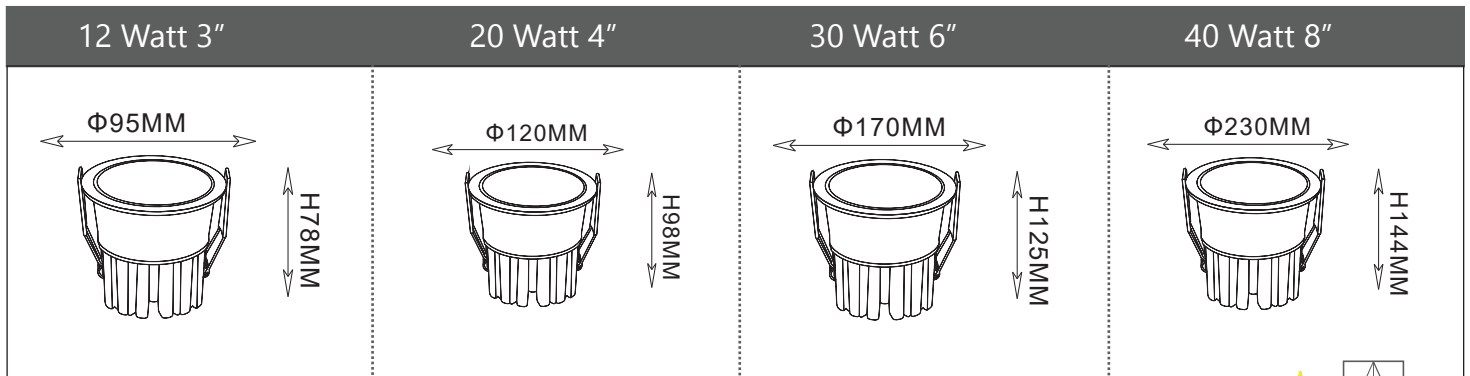
- Residential
- Retail
- Art-galleries
- Education
- Hospitality
- Offices, Banks

# OPTIMAL LIGHT LED COB Anti-glare Design

PRODUCT CODE: OPT CK (BLACK REFLECTOR)

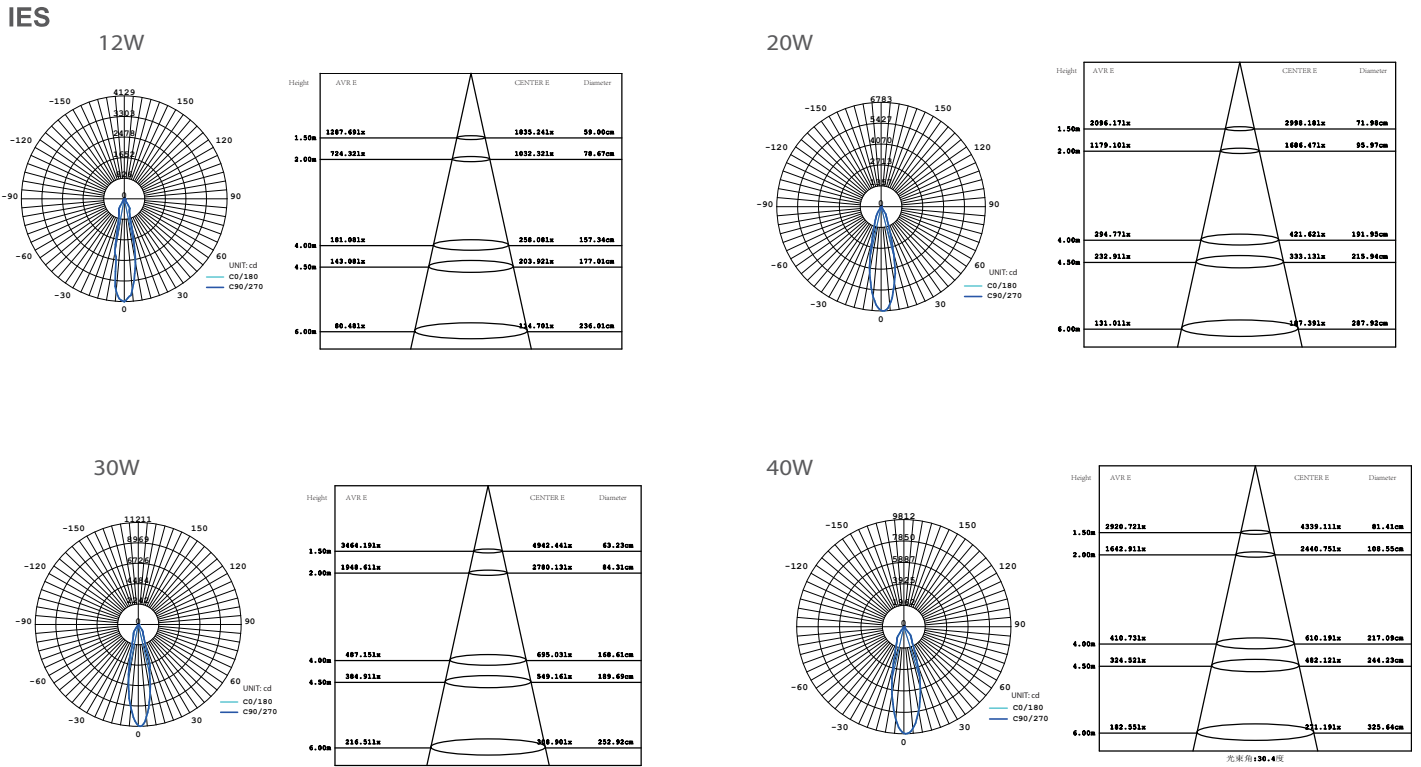
PRODUCT CODE: OPT CS (SILVER REFLECTOR)

DESCRIPTION	WATT	CCT	CRI	PF	Lumen	Voltage	Size	Cut Size	Hrs.	CLASS
12 Watt COB	12 W	3000K	>80	0.5	860	100-277	95*78	75mm	30,000	Class II
12 Watt COB	12 W	4000K	>80	0.5	860	100-277	95*78	75mm	30,000	Class II
12 Watt COB	12 W	6500K	>80	0.5	860	100-277	95*78	75mm	30,000	Class II
20 Watt COB	20 W	3000K	>80	0.9	1600	100-277	120*98	95mm	30,000	Class II
20 Watt COB	20 W	4000K	>80	0.9	1600	100-277	120*98	95mm	30,000	Class II
20 Watt COB	20 W	6500K	>80	0.9	1600	100-277	120*98	95mm	30,000	Class II
30 Watt COB	30 W	3000K	>80	0.9	2400	100-277	170*125	140mm	30,000	Class II
30 Watt COB	30 W	4000K	>80	0.9	2400	100-277	170*125	140mm	30,000	Class II
30 Watt COB	30 W	6500K	>80	0.9	2400	100-277	170*125	140mm	30,000	Class II
40 Watt COB	40 W	3000K	>80	0.9	3200	100-277	230*144	195mm	30,000	Class II
40 Watt COB	40 W	4000K	>80	0.9	3200	100-277	230*144	195mm	30,000	Class II
40 Watt COB	40 W	6500K	>80	0.9	3200	100-277	230*144	195mm	30,000	Class II

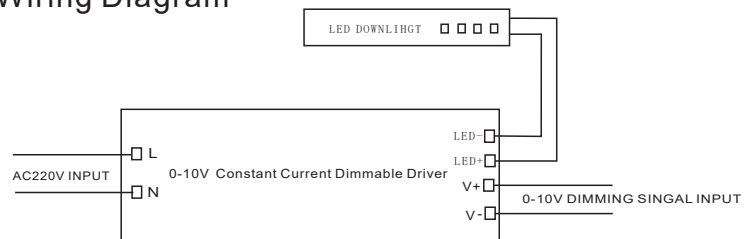


NB: Input Voltage can be 100-277 AC , But 2220-240 will be displayed on Product

# OPTIMAL LIGHT LED COB Anti-glare Design



## Wiring Diagram



## DIMMING - OPTIONAL

Rated Power: 12 Watt  
Dimming : 0-10 Volt  
3" Recessed Down Light

Rated Power: 20 Watt  
Dimming : 0-10 Volt  
4" Recessed Down Light

Rated Power: 30 Watt  
Dimming : 0-10 Volt  
6" Recessed Down Light

Rated Power: 40 Watt  
Dimming : 0-10 Volt  
8" Recessed Down Light



NB: Input Voltage can be 100-277 AC , But 2220-240 will be displayed on Product